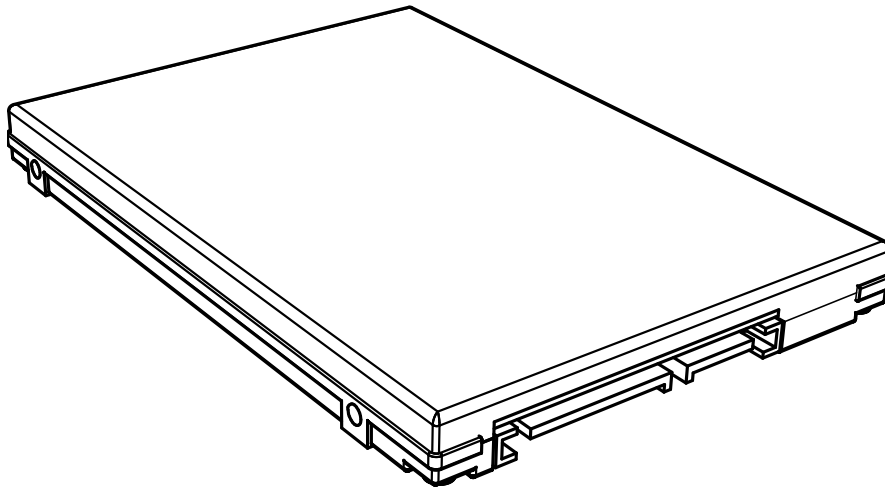


## PIX-SSD4

### 256 GB SSD Media



The PIX-SSD4 is a Samsung 840-Series solid-state drive for use with the PIX series video recorders. Reference the instructions included on the PIX-CADDY2 for mechanical connectivity to the Caddy.

#### Installing the Shim

The profile of the PIX-SSD4 is thinner than standard SSD's. Before using the PIX-SSD4 with a PIX-CADDY in a PIX video recorder, the shim must be affixed to the PIX-SSD4.

- Make sure the top surface of the SSD is free of dust or debris. The top of the drive shows an orange square.
- Remove the backing from the shim to expose the adhesive surface.
- Making sure that the shim is not protruding from any side of the PIX-SSD4, push it onto the top of the drive.

#### UDF Volume Formatting

Sound Devices has pre-formatted the media as a UDF volume for immediate use in the PIX recorders. This formatting is exclusive of the PIX recorders. UDF formatted media is visible in Mac OS, Windows, and Linux. See the PIX User Guide for additional information on UDF formatting.

---

*UDF drive formatting is not compatible with Sound Devices 7-Series audio recorders.*

---

#### Warranty

Sound Devices, LLC appends the Samsung manufacturers warranty with our own warranty against defects in materials and workmanship for a period of Ninety (90) days from date of original retail purchase. This is a non-transferable warranty that extends only to the original purchaser. Sound Devices, LLC will repair or replace the product at its discretion at no charge. Warranty claims due to severe service conditions will be addressed on an individual basis. THE WARRANTY AND REMEDIES SET FORTH ABOVE ARE EXCLUSIVE. SOUND DEVICES, LLC DISCLAIMS ALL OTHER WARRANTIES, EXPRESS OR IMPLIED, INCLUDING WARRANTIES OF MERCHANTABILITY AND FITNESS FOR A PARTICULAR PURPOSE. SOUND DEVICES, LLC IS NOT RESPONSIBLE FOR SPECIAL, INCIDENTAL, OR CONSEQUENTIAL DAMAGES ARISING FROM ANY BREACH OF WARRANTY OR UNDER ANY OTHER LEGAL THEORY. Because some jurisdictions do not permit the exclusion or limitations set forth above, they may not apply in all cases.

---

*To obtain details of original manufacturer's warranty, contact Samsung support ([www.samsung.com](http://www.samsung.com)).*

---